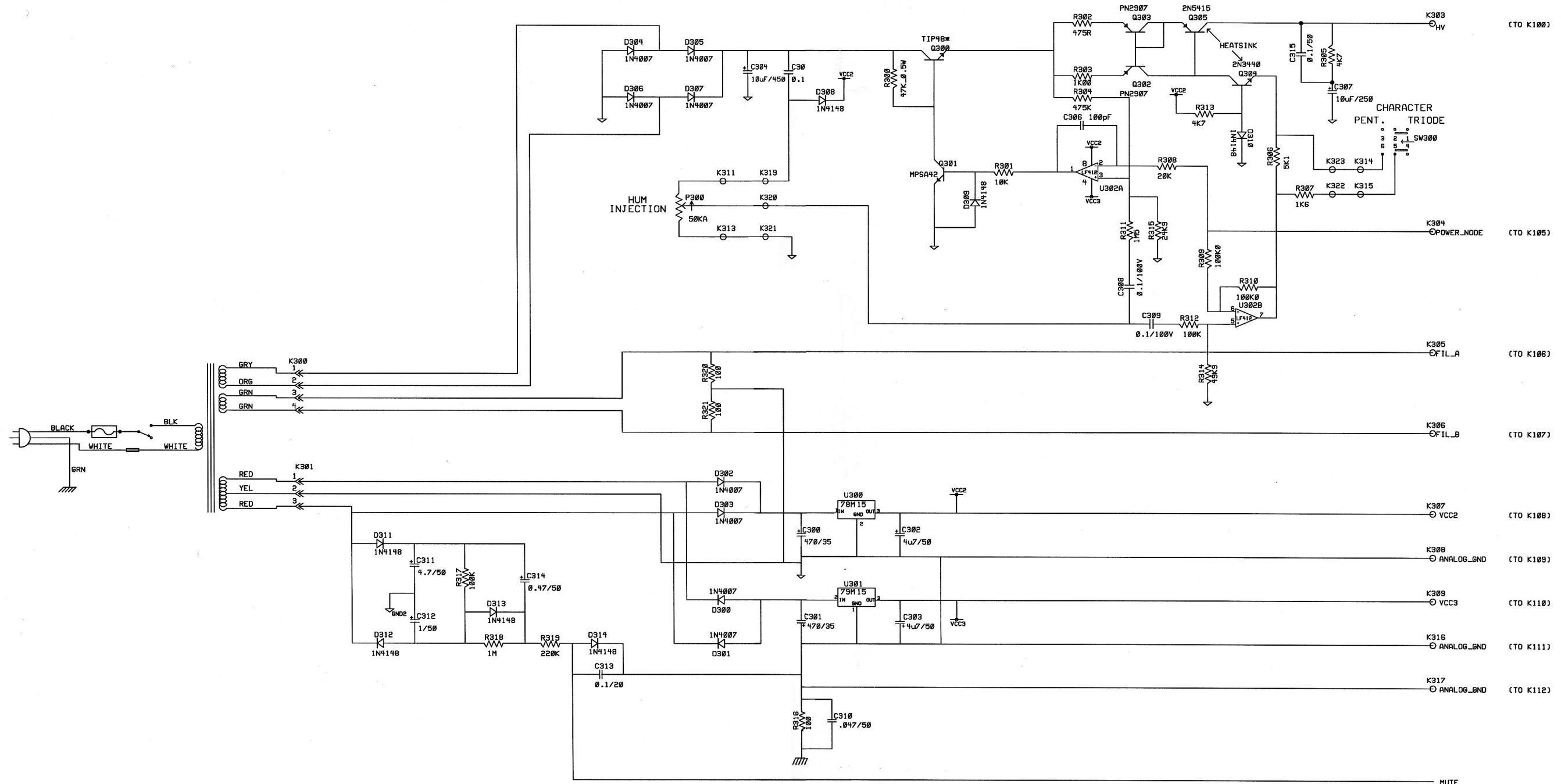


REVISIONS				
ZONE	REV.	DESCRIPTION	DATE	APPROVED
	1	FIRST PROTOTYPE REVISIONS	5/26/93	
	2	SECOND PROTOTYPE REVISIONS	6/30/93	
	A	RELEASE	9/15/93	
	A1	ECO 8899 - C315 ADDED	3/22/95	
	A2	ECO 8996 - C310 CHANGED	3/27/95	



- K303 HV (TO K100)
- K304 CPPOWER\_NODE (TO K105)
- K305 OFIL\_A (TO K106)
- K306 OFIL\_B (TO K107)
- K307 VCC2 (TO K108)
- K308 ANALOG\_GND (TO K109)
- K309 VCC3 (TO K110)
- K316 ANALOG\_GND (TO K111)
- K317 ANALOG\_GND (TO K112)



PROPRIETARY <small>THIS DRAWING DOCUMENT CONTAINS INFORMATION WHICH IS PROPRIETARY TO AND IS THE PROPERTY OF ADA SIGNAL PROCESSORS, INC. AND MAY NOT BE USED, REPRODUCED OR DISCLOSED IN ANY MANNER WITHOUT THE EXPRESSED WRITTEN CONSENT OF ADA SIGNAL PROCESSORS, INC.</small>		ADA SIGNAL PROCESSORS, INC. 420 LESSER STREET OAKLAND, CA 94601	
DATABASE FILE: AMPUC_A2.DBF		SCHEMATIC, AMPULATOR: POWER SUPPLY AND METER CIRCUITS	
CHECKED BY:	ENGR: RTS	SIZE: D	DRAWING NUMBER: 812
APPROVED:	SCALE:	DATE: 28-MAR-95	SHEET 3 OF 3

PART NO. SHEET